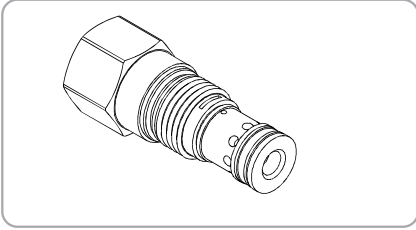
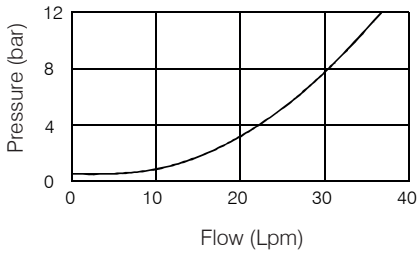


WCX SERIES CHECK VALVES

WCX- 01 Series



Performance



Specifications

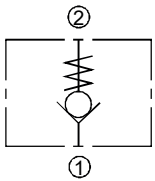
Model Number	Operating Pressure (bar)	Flow (lpm)	Weight (Kg)
WCX-01	350 (5076 psi)	40(10.57 gpm)	0.09 (0.20 lbs)
Fluid Type		ISO VG 32, 46, 68	
Viscosity cSt		10~400 (59~1854 SSU)	
Operating Temperature		-15~70 (-5~158°F)	
Contamination Level		ISO4406.21/19/16 NAS1638,10	

How To Order

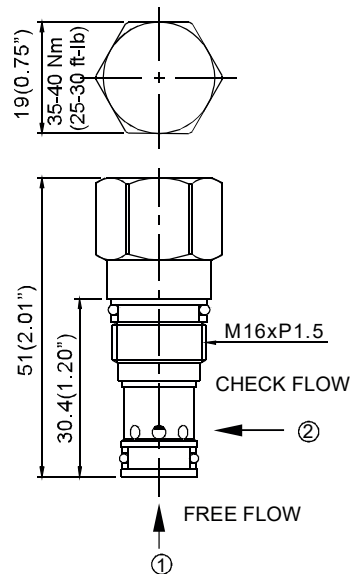
1	2	3
WCX	01 - 20	

- 1 Valve Series**
WCX=Check Valves
- 2 Subplate Mounting Size**
01 :T-162A Cavity :CST-162A
- 2 BIAS SPRING**
05 : 0.35 bar(5 psi)
20:2 bar(29 psi)
50:5 bar (73 psi)

Control Port (S)

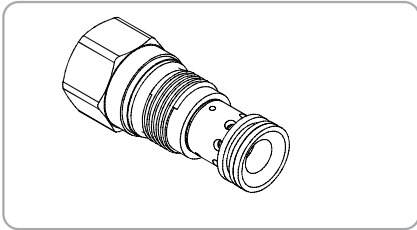


Dimensions



WCX SERIES CHECK VALVES

WCX- 02 Series



Specifications

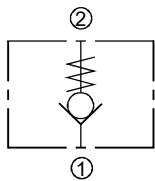
Model Number	Operating Pressure	Flow (lpm)	Weight (Kg)
WCX-02	350 (5076 psi)	80(21.13 gpm)	0.15 (0.33 lbs)
Fluid Type		ISO VG 32, 46, 68	
Viscosity cSt		10~400 (59~1854 SSU)	
Operating Temperature		-15~70 (-5~158°F)	
Contamination Level		ISO4406.21/19/16 NAS1638,10	

How To Order

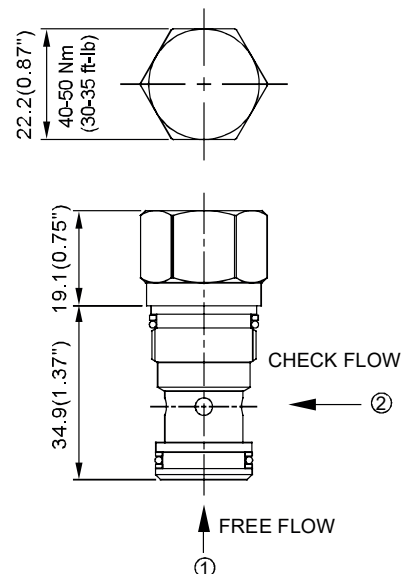
1	2	3
WCX	02 - 05	

- 1 Valve Series**
WCX=Check Valves
- 2 Subplate Mounting Size**
02: T-13A Cavity :13A
- 2 BIAS SPRING**
05 : 0.35 bar(5 psi)
20:2 bar(29 psi)
50:5 bar (73 psi)

Control Port (S)

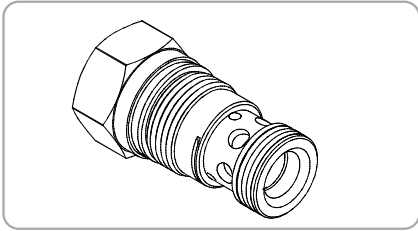


Dimensions

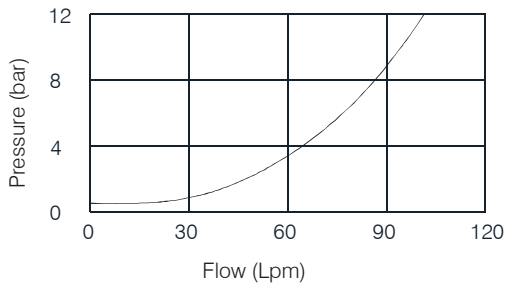


WCX SERIES CHECK VALVES

WCX- 03 Series



Performance



Specifications

Model Number	Operating Pressure	Flow (lpm)	Weight (Kg)
WCX-03	350 (5076 psi)	140(36.98 qpm)	0.19(0.40 lbs)
Fluid Type		ISO VG 32, 46, 68	
Viscosity cSt		10~400 (59~1854 SSU)	
Operating Temperature		-15~70 (-5~158°F)	
Contamination Level		ISO4406.21/19/16 NAS1638,10	

How To Order

1	2	3
WCX	03 -	05

1 Valve Series

WCX=Check Valves

2 Subplate Mounting Size

02: T-5A Cavity :5A

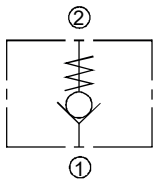
2 BIAS SPRING

05 : 0.35 bar(5 psi)

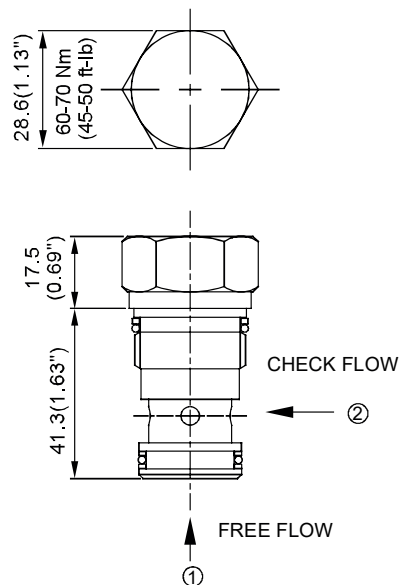
20:2 bar(29 psi)

50:5 bar (73 psi)

Control Port (S)

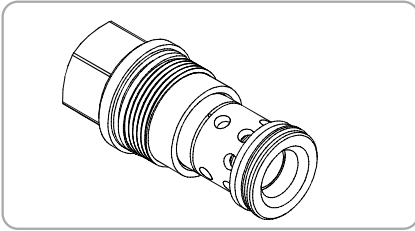


Dimensions



WCX SERIES CHECK VALVES

WCX- 06 Series



Specifications

Model Number	Operating Pressure	Flow (lpm)	Weight (Kg)
WCX-06	350 (5076 psi)	320(84.54 qpm)	0.63 (1.39 lbs)
Fluid Type	ISO VG 32, 46, 68		
Viscosity cSt	10~400 (59~1854 SSU)		
Operating Temperature	-15~70 (-5~158°F)		
Contamination Level	ISO4406.21/19/16 NAS1638,10		

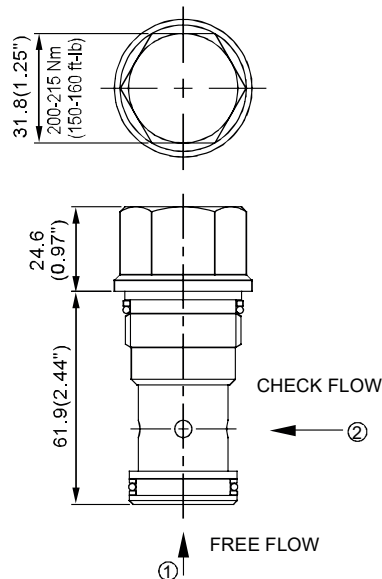
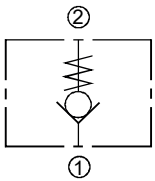
1	2	3
WCX	06 -	05

1 Valve Series
WCX=Check Valves

2 Subplate Mounting Size
06: T-16A Cavity :16A

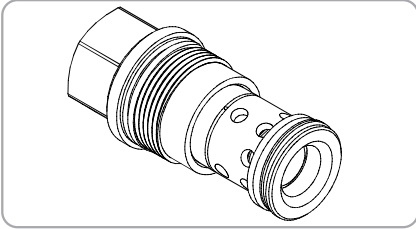
2 BIAS SPRING
05 : 0.35 bar(5 psi)
20:2 bar(29 psi)
50:5 bar (73 psi)

Control Port (S)



WCX SERIES CHECK VALVES

WCX- 10 Series



Specifications

Model Number	Operating Pressure (bar)	Flow (lpm)	Weight (Kg)
WCX-10	350 (5076 psi)	640(169.07 gpm)	1.3(2.87 lbs)
Fluid Type		ISO VG 32, 46, 68	
Viscosity cSt		10~400 (59~1854 SSU)	
Operating Temperature		-15~70 (-5~158°F)	
Contamination Level		ISO4406.21/19/16 NAS1638,10	

How To Order

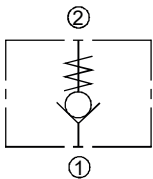
1	2	3
WCX	10	- 05

1 Valve Series
WCX=Check Valves

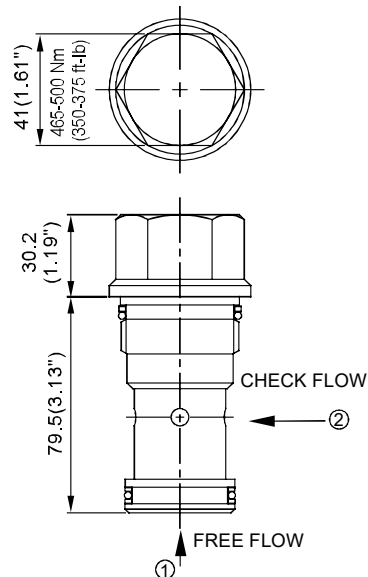
2 Subplate Mounting Size
10 :T-18A Cavity :CST-18A

2 BIAS SPRING
05 : 0.35 bar(5 psi)
20:2 bar(29 psi)
50:5 bar (73 psi)

Control Port (S)

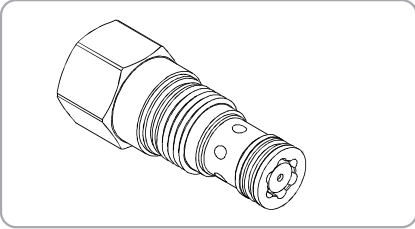


Dimensions

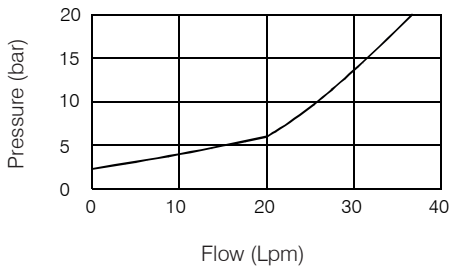


WCXE SERIES CHECK VALVES

WCXE- 01 Series



Performance



Specifications

Model Number	Operating Pressure (bar)	Flow (lpm)	Weight (Kg)
WCXE-01	350 (5076 psi)	30(7.92 gpm)	0.1(0.22 lbs)
Fluid Type		ISO VG 32, 46, 68	
Viscosity cSt		10~400 (59~1854 SSU)	
Operating Temperature		-15~70 (-5~158°F)	
Contamination Level		ISO4406.21/19/16 NAS1638,10	

How To Order

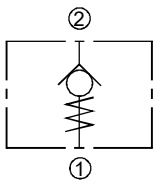
1	2	3
WCXE	01 -	20

1 Valve Series
WCXE=Check Valves

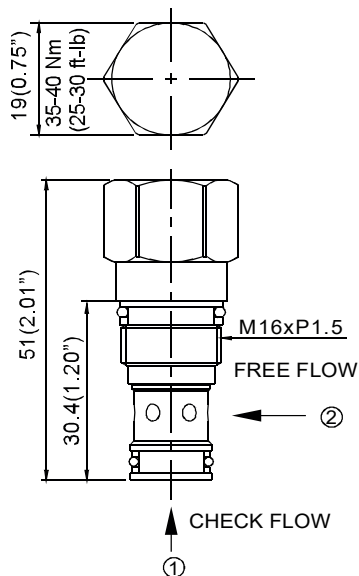
2 Porting
01 :T-162A Cavity :CST-162A

2 BIAS SPRING
20 : 2 bar(29 psi)
35:3.5 bar(51 psi)

Control Port (S)

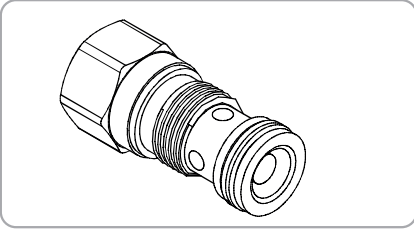


Dimensions



WCXE SERIES CHECK VALVES

WCXE- 02 Series



Specifications

Model Number	Operating Pressure (bar)	Flow (lpm)	Weight (Kg)
WCXE-02	350 (5076 psi)	60(15.85 gpm)	0.15(0.33 lbs)
Fluid Type	ISO VG 32, 46, 68		
Viscosity cSt	10~400 (59~1854 SSU)		
Operating Temperature	-15~70 (-5~158°F)		
Contamination Level	ISO4406.21/19/16 NAS1638,10		

Flow (Lpm)

How To Order

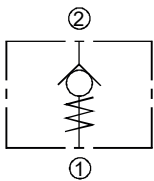
1 **2** **3**
WCXE 02 - 05

1 Valve Series
 WCXE=Check Valves

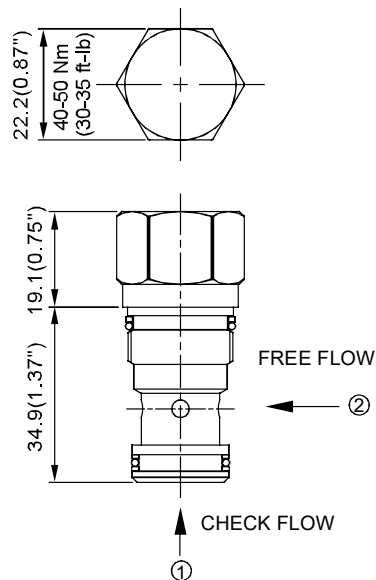
2 Porting
 02 :T-13A Cavity :CST-13A

2 BIAS SPRING
 05 : 0.35 bar(5 psi)
 50:5 bar(73 psi)

Control Port (S)

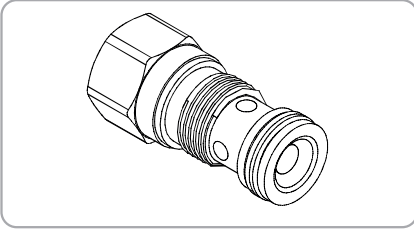


Dimensions



WCXE SERIES CHECK VALVES

WCXE- 03 Series



Specifications

Model Number	Operating Pressure (bar)	Flow (lpm)	Weight (Kg)
WCXE-03	350 (5076 psi)	100(26.42 gpm)	0.19(0.42 lbs)
Fluid Type		ISO VG 32, 46, 68	
Viscosity cSt		10~400 (59~1854 SSU)	
Operating Temperature		-15~70 (-5~158°F)	
Contamination Level		ISO4406.21/19/16 NAS1638,10	

How To Order

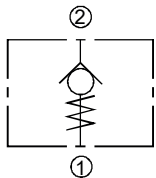
1	2	3
WCXE	03	05

1 Valve Series
WCXE=Check Valves

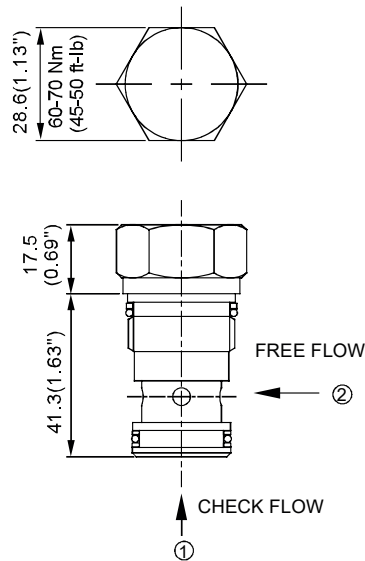
2 Porting
03 :T-5A Cavity :CST-5A

2 BIAS SPRING
05 : 0.35 bar(5 psi)
50:5 bar(73 psi)

Control Port (S)

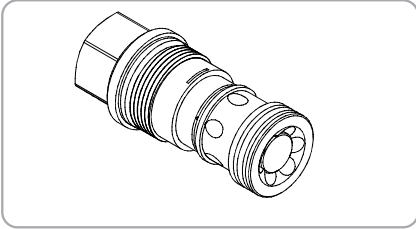


Dimensions



WCXE SERIES CHECK VALVES

WCXE- 6 Series



Specifications

Model Number	Operating Pressure (bar)	Flow (lpm)	Weight (Kg)
WCXE-06	350 (5076 psi)	210(55.48 gpm)	0.63 (1.39 lbs)
Fluid Type		ISO VG 32, 46, 68	
Viscosity cSt		10~400 (59~1854 SSU)	
Operating Temperature		-15~70 (-5~158°F)	
Contamination Level		ISO4406.21/19/16 NAS1638,10	

How To Order

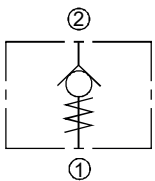
1
2
3
WCXE 06 - 05

1 Valve Series
WCXE=Check Valves

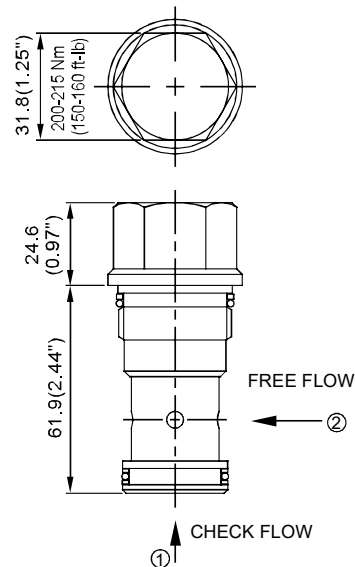
2 Subplate Mounting Size
06 :T-16A Cavity :CST-16A

2 BIAS SPRING
05 : 0.35 bar(5 psi)
50:5 bar (73 psi)

Control Port (S)

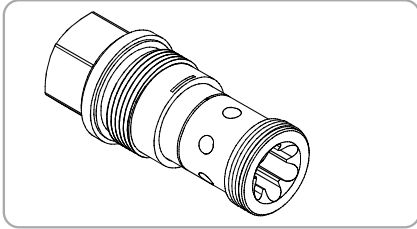


Dimensions



WCXE SERIES CHECK VALVES

WCXE- 10 Series



Specifications

Model Number	Operating Pressure (bar)	Flow (lpm)	Weight (Kg)
WCXE-10	350 (5076 psi)	420(110.95 gpm)	1.3(2.87 lbs)
Fluid Type		ISO VG 32, 46, 68	
Viscosity cSt		10~400 (59~1854 SSU)	
Operating Temperature		-15~70 (-5~158°F)	
Contamination Level		ISO4406.21/19/16 NAS1638,10	

How To Order

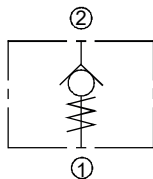
1 **2** **3**
WCXE 10 - 05

1 Valve Series
 WCXE=Check Valves

2 Subplate Mounting Size
 10 :T-18A Cavity :CST-18A

2 BIAS SPRING
 05 : 0.35 bar(5 psi)
 50:5 bar (73 psi)

Control Port (S)



Dimensions

